

TQ8000 8 CHANNEL CONTROL UNIT

The TQ8000 is an 8 channel stand-alone control unit, which can be configured to monitor up to 8 inputs from a wide variety of Gas Detectors and many other 4-20mA output devices.

The TQ8000 will display values not only for numerous gases and their concentrations, but also for temperature and pressure etc.

The TQ8000 provides 15 configurable relays which can be utilised as 'volt free' or 24V dc, to operate remote devices and individual 4-20mA outputs for interfacing to programmable logic controllers, PC's and building management systems.

FEATURES

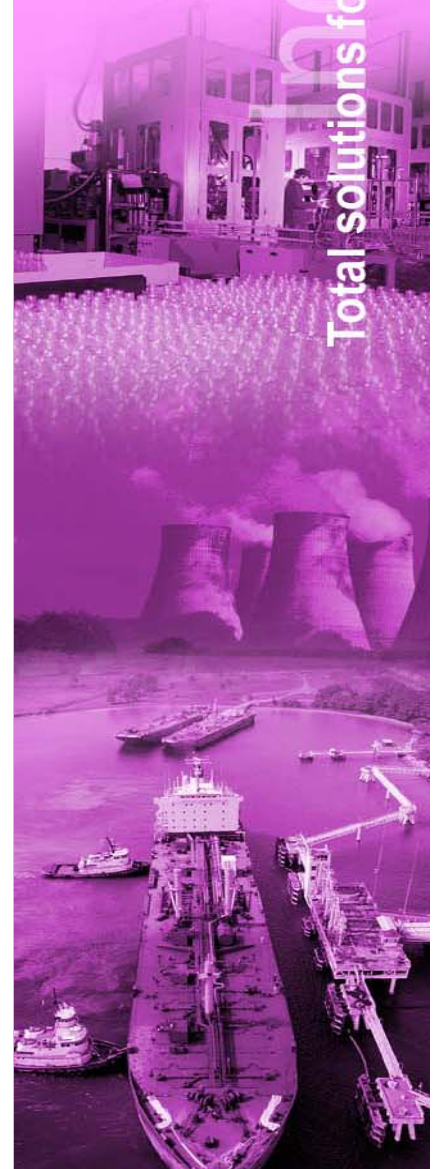
- Easy to install
- Low cost of ownership
- Reliability
- Minimum maintenance
- Field configurable
- Ease of calibration
- Monitors a wide range of gases



TOTAL SOLUTIONS FOR GAS MONITORING



Industry
Total solutions for gas monitoring



8000/D3/01/05



The TQ8000 is housed in an IP54 rated metal, wall mounted enclosure, with entry for field cabling through the bottom gland plate.

The alarm and fault status of each channel is displayed on the front panel.

Each channel has 2 user defined alarm thresholds, which operate the front panel LED's and the internal sounder.

Operator interface controls are available internally for the adjustment of alarm set points, channel inhibit, relays, and calibration span and zero. These controls are customer configurable and password protected.

The TQ8000 provides individual 4-20mA outputs, together with 15 configurable relays for 24V d.c., or volt free outputs.

All units are supplied with a comprehensive manual detailing installation, maintenance and easy to follow operating instructions.

TQ Environmental Plc, operate a policy of continual product development which means the specification is subject to change without prior notice.

For full assistance with your application contact TQ.

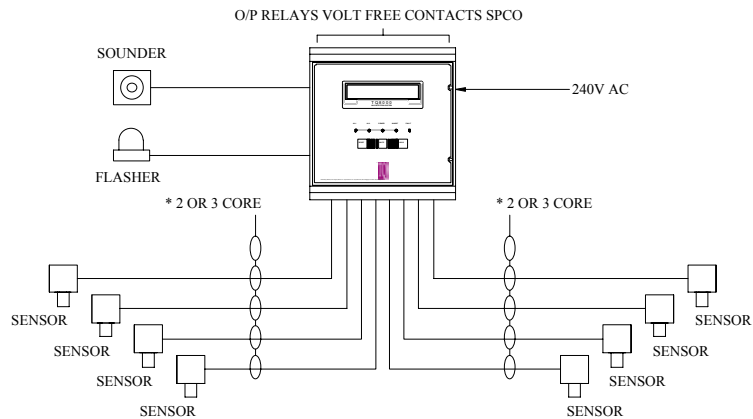


8000/D3/01/05

SPECIFICATION	
Calibration	Fixed password protected Adjustable Zero, Span, AL1 & AL2
Alarms	Alarm 1 and Alarm 2; Adjustable between 0% & 100% of FSD
Relays	Output via configurable relays RL2 to RL16
Inhibit	SPCO rated, 24 vdc/280V ac @ 12A resistive Evoked on individual channel outputs when in calibration and channel selectable. Operates 'Inhibit LED' and 'Fault' relay
Dimensions	Height Width Depth 341.0mm x 326.0mm x 160.0mm
Rating	IP54
Power Input	Universal; 85 to 254 Volts ac 50/60Hz (24V dc on request) @ 100VA
Cable Entry	Bottom gland plate as standard
Front Panel Control	'Reset', 'Hold', & 'Mute'
Indicators	Power on Green LED Gas Alarm 1 & 2 Red LED Fault Alarm Amber LED Inhibit Amber LED
Display	4 x 40 character alphanumeric, back lit LCD
Internal Audible	Gas/Fault 80dB

PARTS LIST	
8 Relay outputs - 8 Channel	370-600-08-08
8 Relay outputs - 16 Channel	370-600-16-08
8 Relay outputs - 24 Channel	370-600-24-08
8 Relay outputs - 32 Channel	370-600-32-08
8 Relay outputs - 40 Channel	370-600-40-08
8 Relay outputs - 48 Channel	370-600-48-08
8 Relay outputs - 56 Channel	370-600-56-08
16 Relay outputs - 8 Channel	370-600-08-16
16 Relay outputs - 16 Channel	370-600-16-16
16 Relay outputs - 24 Channel	370-600-24-16
16 Relay outputs - 32 Channel	370-600-32-16
16 Relay outputs - 40 Channel	370-600-40-16
16 Relay outputs - 48 Channel	370-600-48-16
16 Relay outputs - 56 Channel	370-600-56-16

TYPICAL INSTALLATION



*DEPENDANT ON SENSOR TYPE.

CHOICE OF SENSORS INCLUDE GD131, TQ120, 122 & GD129.

TQ ENVIRONMENTAL PLC

Flanshaw Way • Wakefield • West Yorkshire • WF2 9LP
 Tel: +(44) 01924 380700
 Fax: +(44) 01924 361700
 E-Mail: sales@tqplc.com
 Web site: <http://www.tqplc.com>