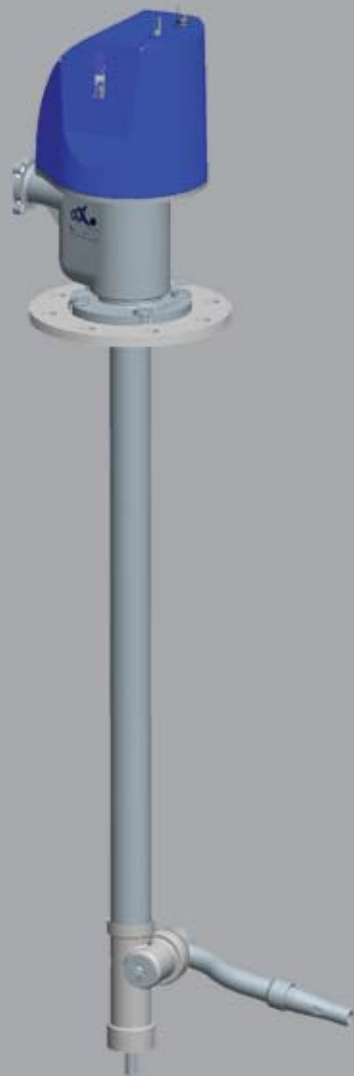


VP Monomatic

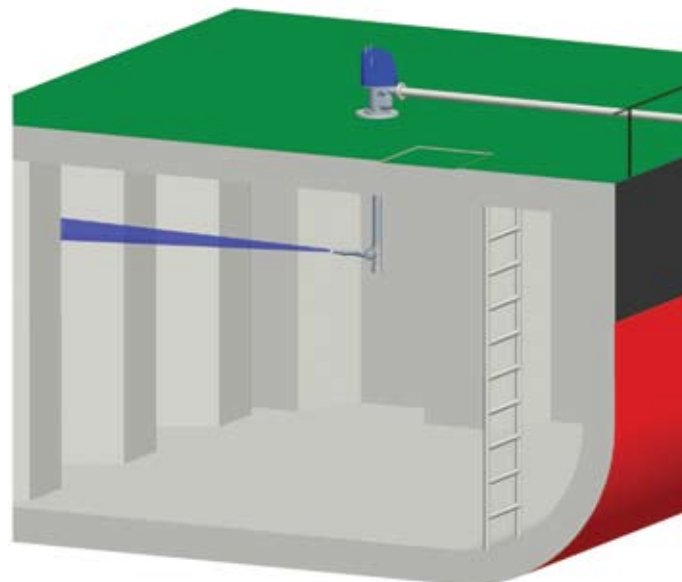


Description

The VP Monomatic is a programmable single nozzle tank washing machine suitable for all types of tankers. The machine is manufactured in stainless steel for the most aggressive environments, designed with simplicity and reliability in mind.

- ▶ Start in any position.
- ▶ Manual override.
- ▶ Variable pitch selection to accommodate IMO pre-wash requirements.
- ▶ Intense wash setting.
- ▶ Built-in nozzle position indicator.
- ▶ Maintenance-free below deck.
- ▶ Operates on a continuous cycle.
- ▶ Fully Type Approved (pending) by ABS, BV and CCS.
- ▶ Alternative size deck flange available.
- ▶ Wide choice of inlet valves or flanges available to suit various connections.
- ▶ Various down tube lengths.
- ▶ Shadow studies available on request.

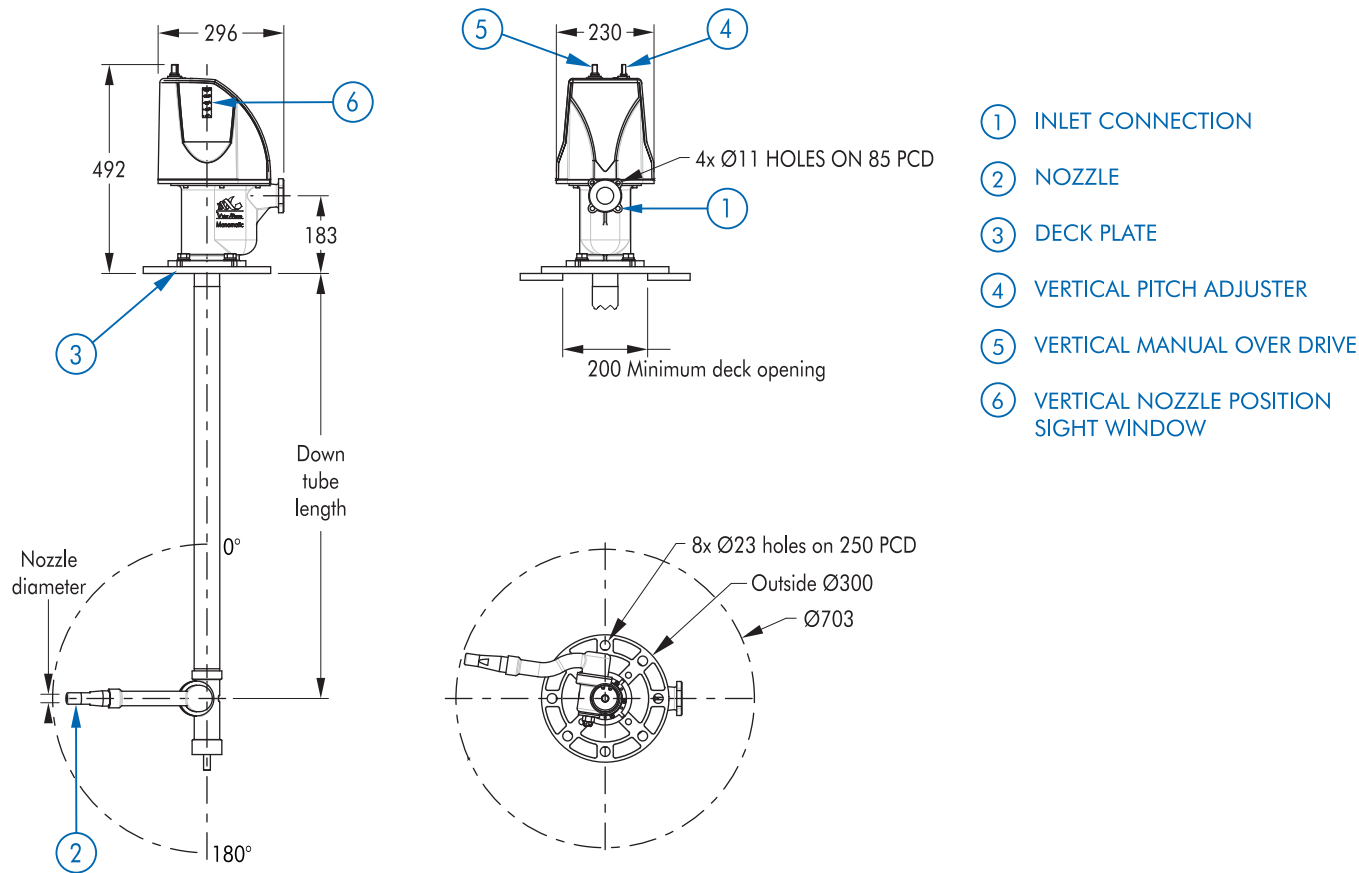
Typical installation



TECHNICAL SPECIFICATION

Nozzle Diameter	8mm				10mm				12mm				14mm			
Pressure kg/cm ²	6	8	10	12	6	8	10	12	6	8	10	12	6	8	10	12
Flow m ³ /hr	7.3	9.0	9.5	10.5	10.0	11.8	13.0	14.6	12.6	14.5	14.7	17.8	19.0	22.4	24.0	25.6
Jet length m	14.5	16.0	17.5	17.5	14.5	16.0	16.5	18.5	16.0	17.0	18.0	19.0	14.5	17.5	19.5	21.5

NOTE1: Drawing shows standard inlet connection and deck plate. Contact Victor Marine for further options.
NOTE2: For 1.5M and 2M down tube lengths, a down tube stiffener is fitted which is not shown in the drawing.



Operating Temperature	
Maximum:	90°C (192°F)
Operating Pressure	
Normal:	12 kg/cm ² (190psi)
Optimum:	6–10 kg/cm ² (87–45psi)
Wash Cycle Time	
Typical:	6 – 60 mins. Variable on supply pressure and operator setting.
Materials	
In media contact:	AISI 316L Stainless Steel
Other:	AISI 304 Stainless Steel
Weight	
Typical 1m D/tube:	38 kg (84 lbs)
Per additional 1m D/tube:	8 kg (18 lbs)
Lubrication	
Gearbox:	Sealed grease lubricated
Nozzle:	Media lubricated
Type Approval & Certification	
Product Type	
Approval Pending:	ABS, BV & CCS